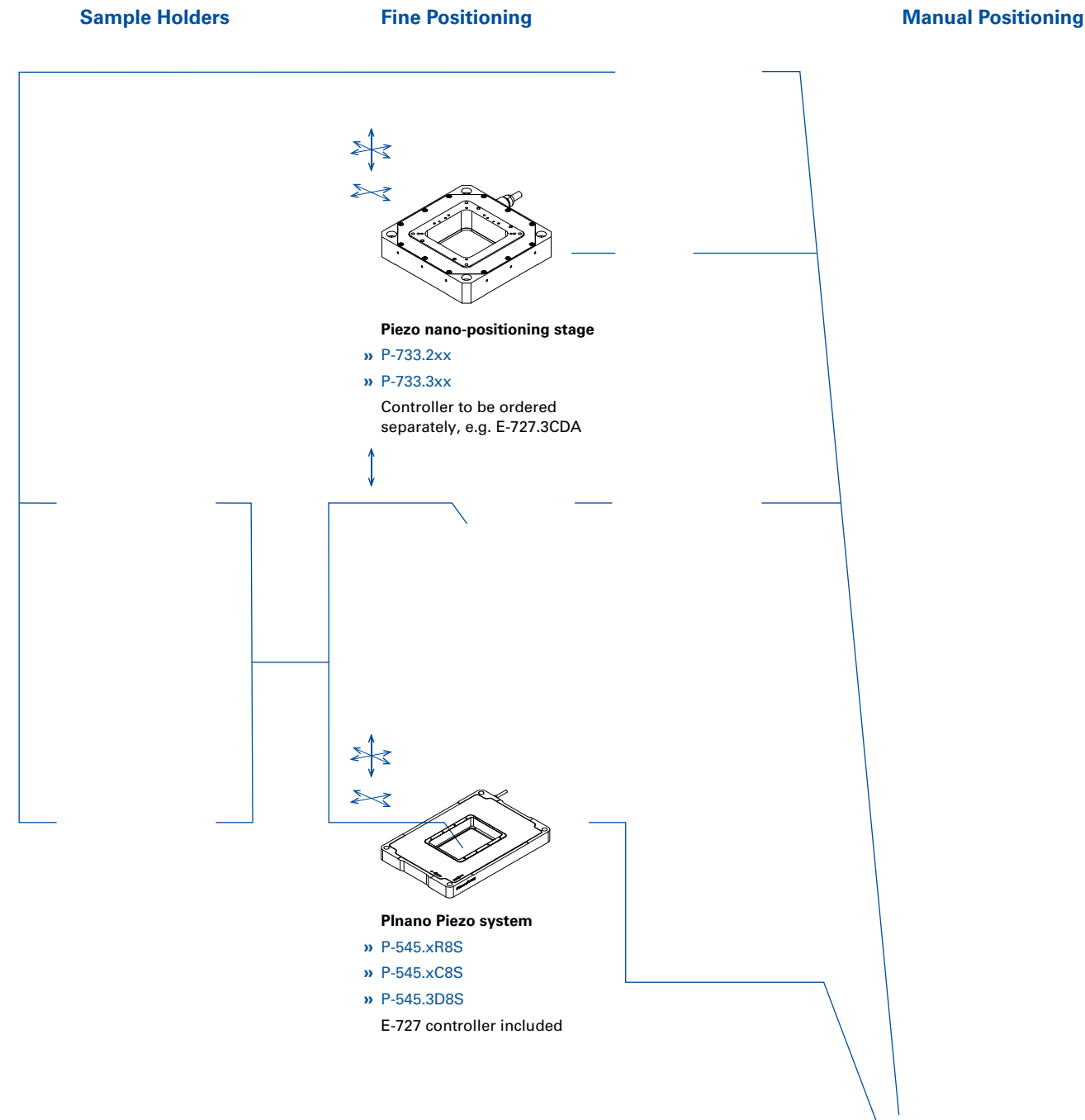


# M-545 Microscope XY Stage for Manual Operation



Example image – geometry differs slightly depending on the version.

\* Optionally available: P-545.Cxx Coverslip holder for 18x18 / 22x22 / 25x25 mm coverslips



[www.physikinstrumente.com](http://www.physikinstrumente.com)

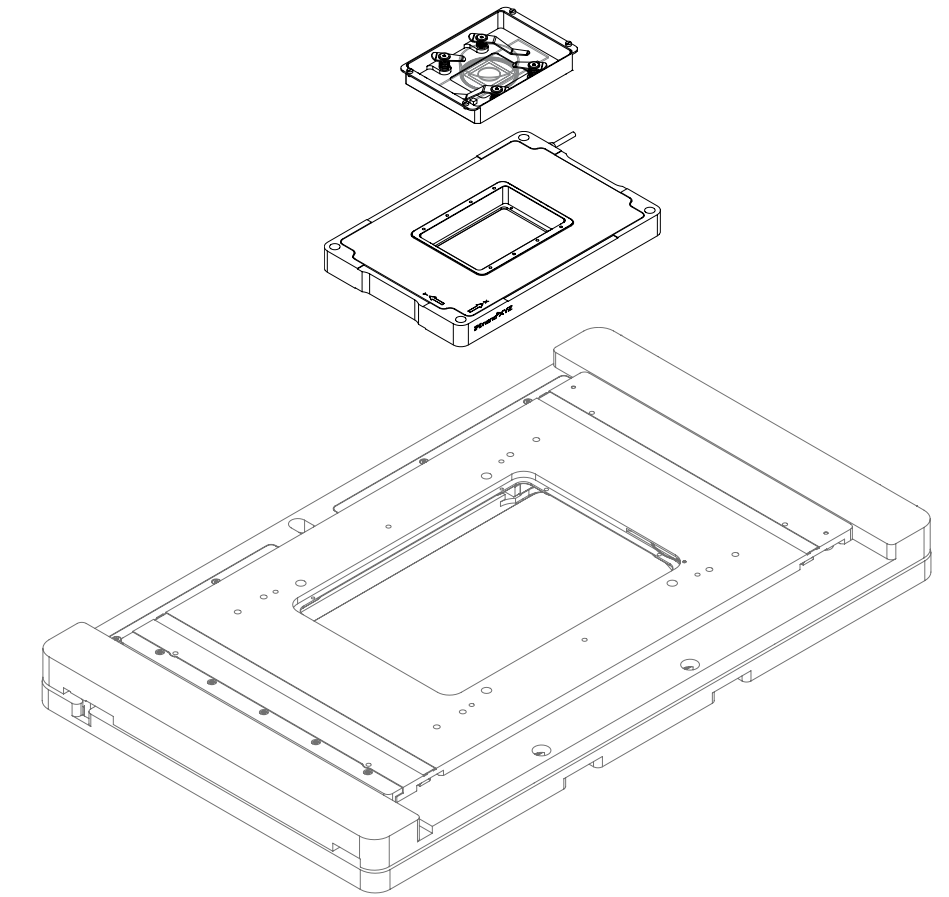
Follow us on:



© Physik Instrumente (PI) GmbH & Co. KG. All contents, including texts, graphics, data etc., as well as their layout, are subject to copyright and other protective laws. Any copying, modification or redistribution in whole or in parts is subject to a written permission of PI. Although the information in this document has been compiled with the greatest care, errors cannot be ruled out completely. Therefore, we cannot guarantee for the information being complete, correct and up to date. Illustrations may differ from the original and are not binding. PI reserves the right to supplement or change the information provided without prior notice.



BRO70E PI - Microscopy Stage Configurator 5/2024, 0.2. Subject to change without notice. © Physik Instrumente (PI) GmbH & Co. KG 2024



## Microscope Stage Configurator

SAMPLE STAGES AND HOLDERS FOR INVERTED MICROSCOPES

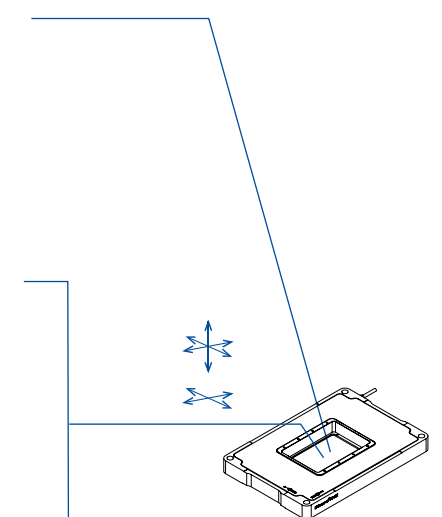
# Precision Positioning is the Key Element in Microscopy

For inverted microscopes precise positioning of the sample is a must for accurate results. Sample holders and fine positioning stages have to match perfectly. This is a simple task with our configurator. Start with the coarse positioner and follow the lines to the matching fine positioner and / or sample holder.

Please note: Always use automatic lens lowering when changing lenses.

» For detailed product specifications / technical drawings just click on the relevant link (marked with double arrows) in the brochure.

**Sample Holders**      **Fine Positioning**      **XY Positioning**



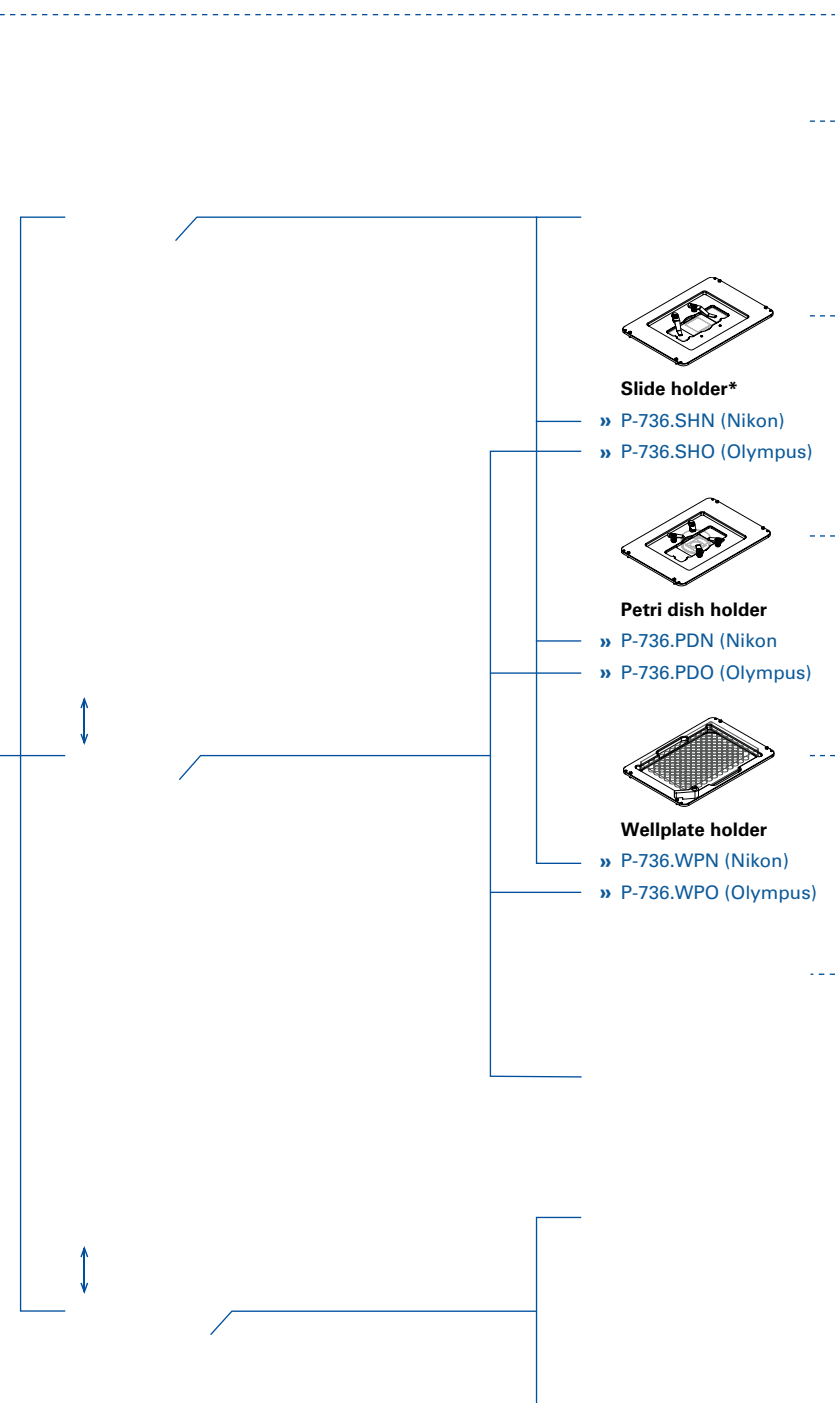
**Pinano Piezo system**  
 » P-545.xR8S  
 » P-545.xC8S  
 » P-545.3D8S  
 E-727 controller included

Example image – geometry differs slightly depending on the version.

# Piezomotor U-781 PILine® XY Stage System with Controller and Joystick

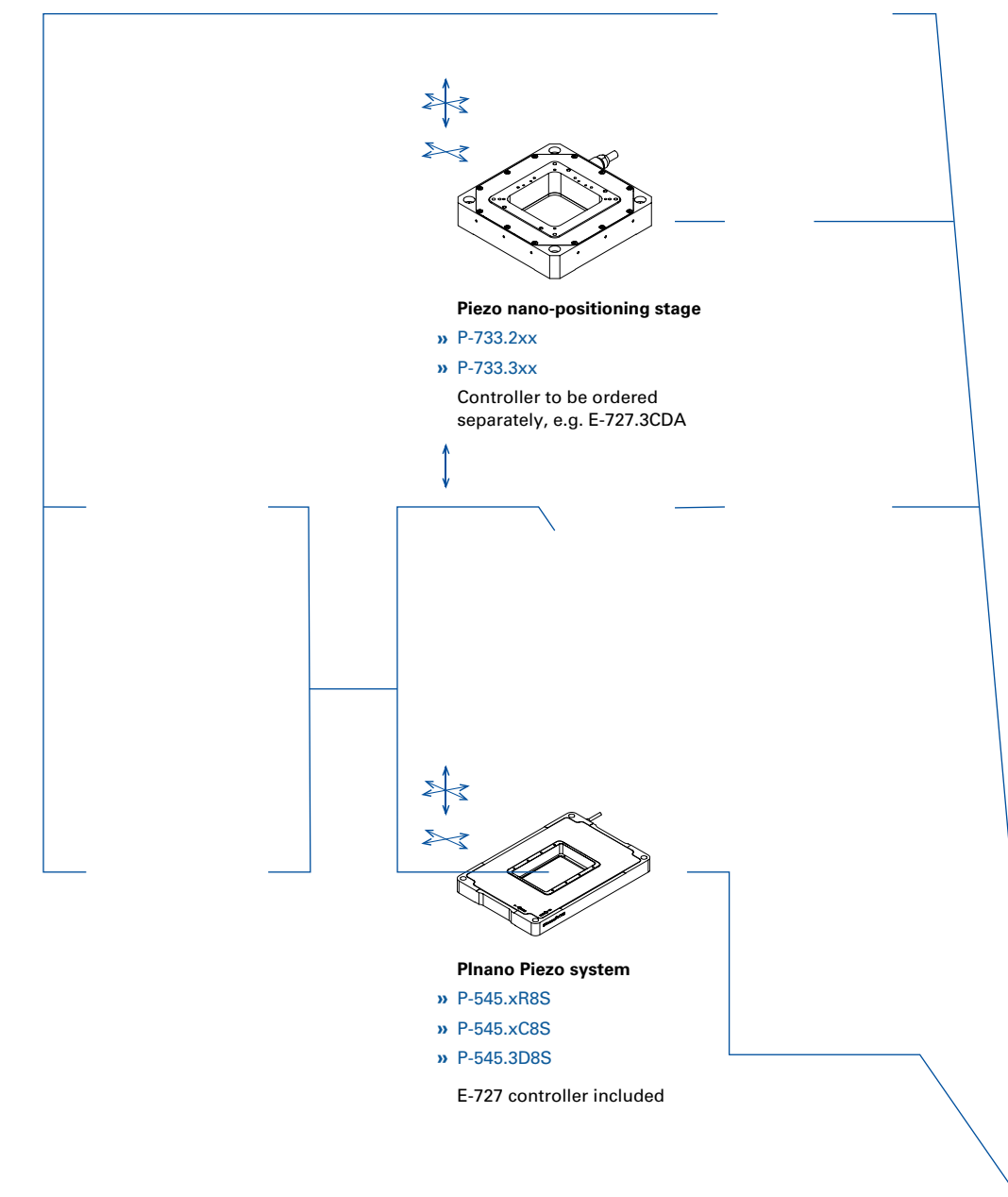
**Fine Positioning**      **Sample Holders**

Only partially compatible



# Piezomotor U-760 PILine® XY Stage System with Controller and Joystick

**Sample Holders**      **Fine Positioning**      **XY Positioning**



\*Optionally available: P-545.Cxx Coverslip holder for 18x18 / 22x22 / 25x25 mm coverslips